

1.0 Aim

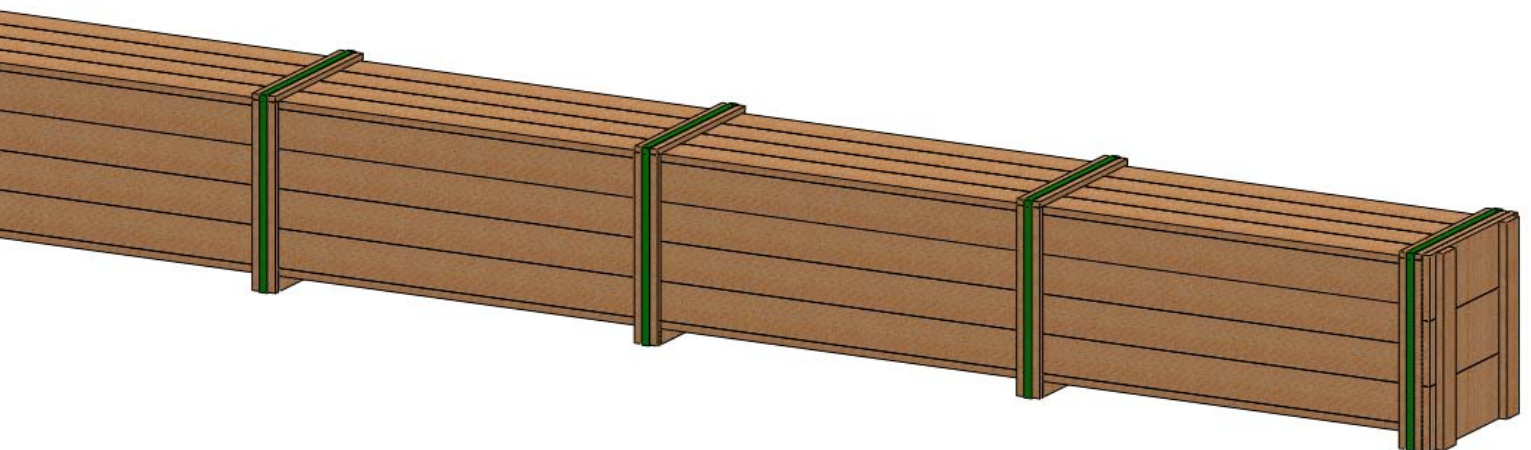
This Operative Instruction aims to show the various characteristics that wooden packaging (boxes) for sea shipment, both to be placed within containers or not, must have.


This operative Instruction applies to any supply with a sea transport.

2.0 Description of boxes for containers

Boxes have following characteristics:

- Used wood does not contain bark
- Packing is treated according to ISPM 15/IT-03-184-HT-DB-SFN-FITOK 003/10
- Bottom baseboard has minimum height of 7cms, to allow entrance of forks
- Outside reinforcing frames have a thickness of 1.5cm and are equally spaced out one from each other, in order to obtain a correct stack of same boxes
- Packing is completed lined by PVC folio in the inside. Before placing the cover, another PVC folio is placed on the top to completely protect upper part of the content.
- Nails or clips do not overlay in the inside of the box
- Any box has two 25,4mm holes on the bottom at 150mm from any ends, to allow water drainage
- Maximum limit of boxes is 60cm by side, not-considering length
- Boxes are closed by plastic strap of 19mm width
- Any box has showed, besides company logo, internal dimensions of the same.

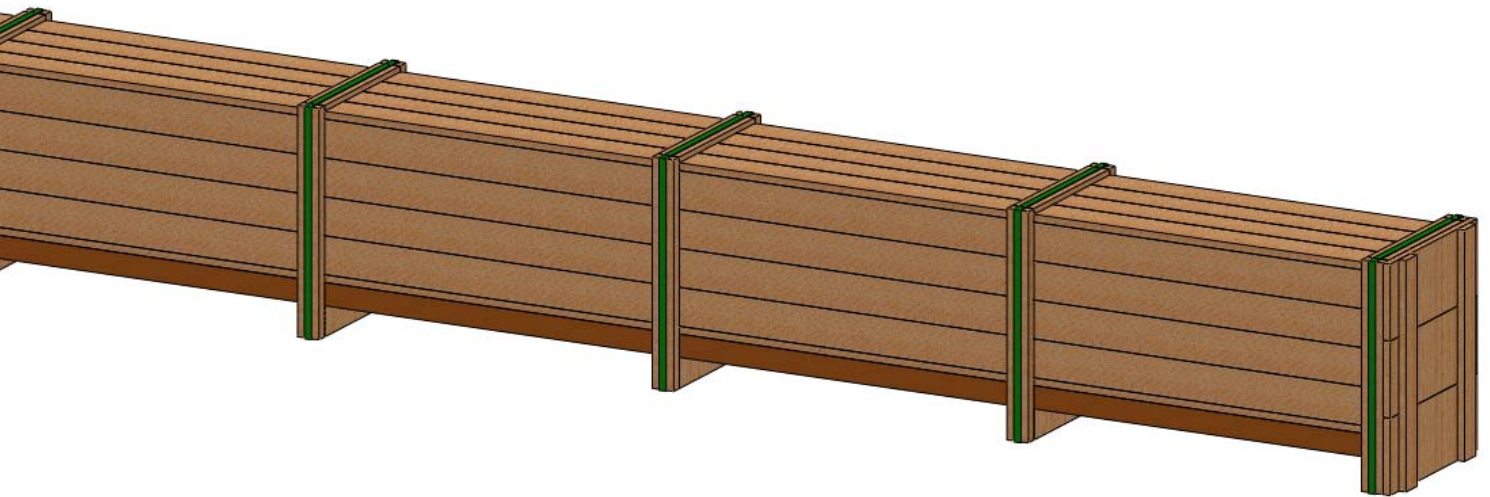


	OPERATIVE INSTRUCTION	N° 88 Rev. 0
	Title: Specification for AD standard sea-packing	Sistema Qualità EN ISO 9001:2008

3.0 Description of boxes not to be placed in containers

Boxes have following characteristics:

- Used wood does not contain bark
- Packing is treated according to ISPM 15/IT-03-184-HT-DB-SFN-FITOK 003/10
- A longitudinal reinforcement baseboard of 7.5cm thickness is placed all along the box
- Bottom baseboard has minimum height of 7cms, to allow entrance of forks
- Outside reinforcing frames have a thickness of 3.5cm and are equally spaced out one from each other, in order to obtain a correct stack of same boxes
- Packing is completed lined by PVC folio in the inside. Before placing the cover, another PVC folio is placed on the top to completely protect upper part of the content.
- Nails or clips do not overlay in the inside of the box
- Any box has two 25,4mm holes on the bottom at 150mm from any ends, to allow water drainage
- Maximum limit of boxes is 60cm by side, not-considering length
- Boxes are closed by plastic strap of 19mm width
- Any box has showed, besides company logo, internal dimensions of the same.



Emissione			Elenco distribuzione e n° copie						
Data	Preparata da :	Approvata da :	AM	PR	SQ	MG	UT	UC	UA
02-10	UT+UA	RSQ		1	1	1		3	